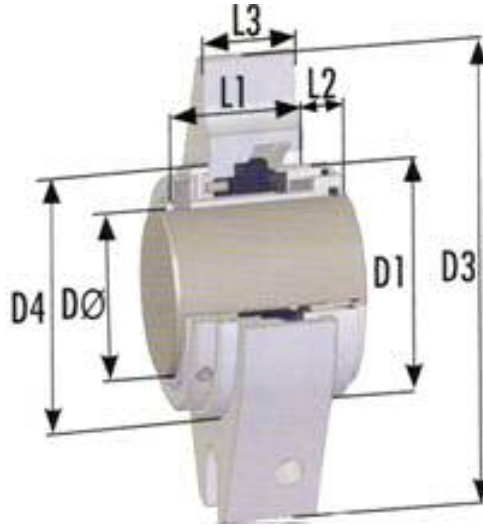


ASP-55 Single Cartridge Seal



Seal Code	Shaft Size		Stuffing Box Bore		Seal Chamber	Seal Chamber	Gland	Gland
	Inch	Metric	Max	Metric	Max	Min	OD	Penetration
250		25		42.3	48	44	101.6	11.8
254	1			42.3	48	44	101.6	11.8
280		28		46	51	47.5	101.6	11.8
286	1.125			46	51	47.5	101.6	11.8
300		30		48.9	55	50	111	46.4
317	1.25			48.9	55	50	111	12.3
320		32		48.9	55	50	111	12.3
330		33		52.8	58.5	53.9	111	13.3
349	1.375			52.8	58.5	53.9	111	13.3
350		35		52.8	58.5	53.9	111	13.3
380		38		56	62	57.15	133.4	13.8
381	1.5			56	62	57.15	133.4	13.8
400		40		59.2	66	60.3	133.4	13.8
412	1.625			59.2	66	60.3	133.4	13.8
420		42		59.2	66	60.3	133.4	13.8
430		43		62.4	74	63.5	134	13.8
440		44		62.4	74	63.5	134	13.8
444	1.75			62.4	74	63.5	134	13.8
450		45		62.4	74	63.5	134	13.8
476	1.875			65.8	74	66.67	133.4	15.8
480		48		65.8	74	66.67	133.4	15.8
500		50		68.8	79	69.85	136.5	12.8
508	2			68.8	79	69.85	136.5	12.8
539	2.125			71.9	82.55	73.02	152.4	12.8

550		55	75.2	85.72	76.5	152.4	12.8
571	2.25		75.2	85.72	76.5	152.4	12.8
600		60	78.3	88.9	79.37	165	11.5
603	2.375		78.3	88.9	79.37	165	11.5
630		63	84.2	92.25	85.72	174.6	12.8
635	2.5		84.2	92.25	85.72	174.6	12.8
650		65	87.4	98.42	88.9	174.6	14.6
666	2.625*		87.4	98.42	88.9	174.6	14.6
698	2.750*		90.6	98.42	92.07	174.6	14.6
700		70	90.6	98.42	92.07	174.6	14.6
750		75	96.9	114.3	98.43	190	15
762	3.000*		96.9	114.3	98.43	190	15
794	3.125*		100	114.3	101.6	190	16
800		80	100	114.3	101.6	190	16
825	3.250*		103.3	117.47	104.78	203	16
850		85	106.4	120.65	107.95	203	16
857	3.375*		106.4	120.65	107.95	203	16
889	3.500*		109.6	120.65	111.13	216	16
900		90	112.8	133.4	114.3	216	16
921	3.625*		112.8	133.4	114.3	216	16
950		95	116	136.52	117.48	216	16
953	3.750*	—	116	136.52	117.48	216	16
1000		100	125.6	146.05	130.18	228.6	10.8
1016	4.000*		125.6	146.05	130.18	228.6	10.8

The provided dimensions above can be subject to minor deviations

ASP- 55 Single Cartridge (Shaft Diameters 1" through 4")

Designed as a low cost solution. Idea for sealing pumps in a wide range of services. 80% of applications are water, but oil, waste water, and some chemical applications (using FKM or Aflas O-rings) no problem. Available with SINSIC/RBSIC or Carbon/RBSIC seal faces. Elastomers can be Viton, EP or Nitrile.

Narrow profile, balanced, multiple spring, 'O'-Ring mounted, two-bolt gland Seal Assembly, with dual tangential flush as standard. Designed with minimal internal and external protrusion and with gland dimensions for near universal fitting. Easy to install, reliable and economical. Ideal for replacing gland packing on common marine and general pump applications.

Please Note; up to and including 2.500 I 65mm, Style 55 is guaranteed ex-stock in every metric and imperial size shown in SINSIC vs RBSIC and Carbon vs RBSIC faces. Above these sizes, The 55 is guaranteed ex-stock in metric sizes and SiNSiC vs SiNSiC faces only. Inch shaft sizes above 2.500" are readily available; please enquire.

Suggested Operating Limits

Maximum Operating Pressure Limits primarily depends upon Face Materials, Shaft Size, Speed and Media. Consult your professional at American Seal & Packing.

Pressures to 150 PSI. Temperature: -40°F to +400°F (depending on the chosen elastomer).

Elastomers: Nitrile (Buna-N) , Viton (FKM) , EPDM

Rotary Face Materials: Carbon, Silicon Carbide, Tungsten Carbide

Stationary Face Materials: Silicon Carbide, Tungsten Carbide

